

## **SOP: Bellco Spinner Flask (100mL) Cleaning and Autoclaving**

### **Approvals:**

Preparer: Dr. Maggie Bryans  
Reviewer: Jason McMillan

Date: 03APR09  
Date: 03APR09

### **1. Purpose:**

1.1. Cleaning and assembling of the Bellco Spinner Flask (100mL).

### **2. Scope:**

2.1. Applies to the Bellco Spinner Flask (100mL) for maintaining suspension of cultures.

### **3. Responsibilities:**

3.1. It is the responsibility of the course instructor/lab assistant to ensure that the SOP is performed as described and to update the procedure when necessary.

3.2. It is the responsibility of the students/technicians to follow the SOP as described and to inform the instructor about any deviations or problems that may occur while performing the procedure.

### **4. References:**

4.1.1. Bellco Adjustable Hanging Bar Spinner Flask (100mL) manufacturer insert

4.1.2. Autoclave SOP

4.1.3. Bellco Micro-Carrier Spinner Flasks (500mL) SOP

4.1.4. <http://www.bellcoglass.com/>

### **5. Definitions:** N/A

### **6. Precautions:** N/A

### **7. Materials:**

7.1. magnetic stirrer plate

7.2. glassware detergent

7.3. bottle brush

7.4. autoclave

### **8. Procedure:**

#### **8.1. Preparation**

8.1.1. Gather all parts: glass spinner flask body, sidearm caps, top cap, compression fitting body, compression fitting retaining nut, cap liner, shaft lock (cap nut, washer and o-ring), glass impeller shaft, magnet and magnet holder.

8.1.2. Wash all parts with a bottle brush, warm water and glassware detergent. Rinse several times with tap water, and then several times with deionized water.

#### **8.2. Assembly**

8.2.1. Insert the glass impeller shaft into the hole at the bottom of the magnet holder. The knob at the bottom of the shaft will catch and the magnet holder should spin freely.

8.2.2. Insert magnet into the remaining holes on the magnet holder so that it is centered across the bottom.

8.2.3. Insert cap liner into the top cap. Push the compression fitting body up through the hole in the bottom of the top cap and lock in place using the retainer nut on the top side of the top cap.

8.2.4. Gently slide the glass impeller shaft through the cap from the bottom. Slide the o-ring onto the shaft so that it is flush with the cap liner.

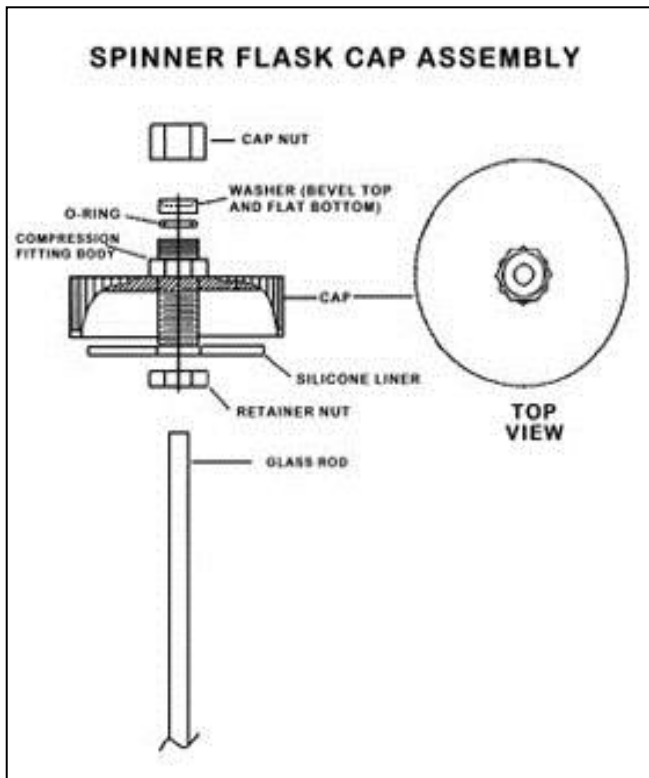
## SOP: Bellco Spinner Flask (100mL) Cleaning and Autoclaving

- 8.2.5. Insert the impeller assembly into the glass spinner flask body and screw on the top cap.
- 8.2.6. Adjust the height of the impeller assembly by sliding the glass shaft up or down so that the magnet hangs just above the floor of the glass spinner flask body.
- 8.2.7. Slide the cap nut onto the glass impeller shaft on top of the washer and tighten.
- 8.2.8. Test the behavior of the impeller assembly by placing the assembled flask on a magnetic stir plate, and adjusting the height of the glass impeller shaft until the impeller spins properly.
- 8.2.9. Screw on the side arm caps.
- 8.3.1. Autoclave per autoclave SOP before and after use. (Remember to loosen side arm caps prior to autoclaving).

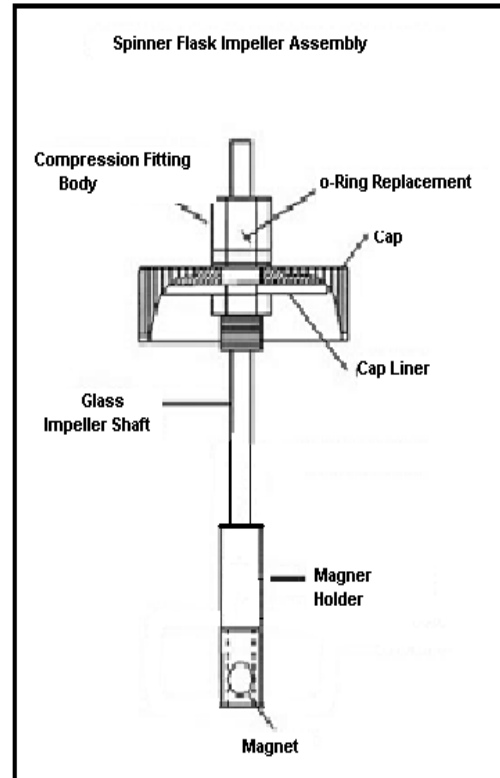
### 9. Attachments:

9.1. Figure 1: Spinner Flask Cap Assembly (<http://www.bellcoglass.com/>)

9.2. Figure 2: Spinner Flask Impeller Assembly (<http://www.bellcoglass.com/>)



**Figure 1: Spinner Flask Cap Assembly**  
(<http://www.bellcoglass.com/>)



**Figure 2: Spinner Flask Impeller Assembly**  
(<http://www.bellcoglass.com/>)

## **SOP: Bellco Spinner Flask (100mL) Cleaning and Autoclaving**

### **10. History:**

Name	Date	Amendment
Kari Britt Katrice Jalbert	03FEB06	Initial release
Deb Audino	04APR08	College name change
Kari Britt	03APR09	Formatting and clarification to directions
Jason McMillan	18MAR14	College name change